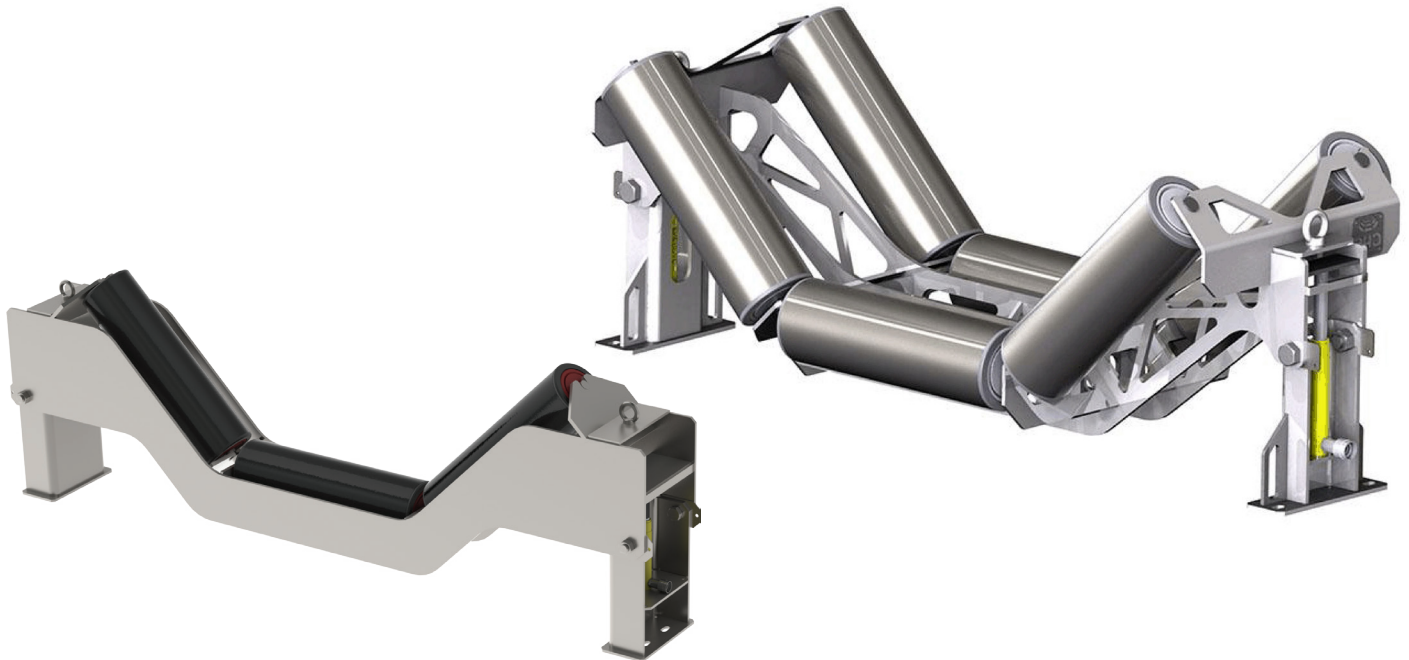




A quality assured company

# IMPACT JACKING FRAME



*CPS Impact Jacking Frames are custom designed for heavy impact applications.*

## Benefits

- Extended Roller Support to prevent brinelling and slot elongation
- Shims provided to accurately locate the frame, prevent weld damage and reduce the frame rattle
- Bolted assembly to improve rigidity
- Central axis alignment to reduce rocking movement
- Reduced skirt wear on belts
- Advanced Computer Aided Engineering design with the use of FEA techniques
- Reduced weight designs for Stackers and Reclaimer Booms

## Applications

Where current frames are not sufficiently robust; with rigidity issues, fatigue fracturing, and roller slot elongation due to plastic deformation from repeated impacts and rattling against the hard roller shaft.

Where impact frames rattling and moving under heavy impact zones cause belt/skirting deviation and spillage, resulting in increased belt wear.

A major iron ore producer has reported belt life extension of over 100%, given the reduction in skirt wear and impact fatigue since installing CPS 3-roll jacking frames.